



FOOD EQUIPMENT

SERVING THE FOOD INDUSTRY SINCE 1951

4500 W COUNTERTOP ELECTRIC GRIDDLE

ITEM: 43214 | MODEL: CE-CN-0766

OMCAN'S COUNTERTOP ELECTRIC GRIDDLE

is made up of heavy-duty stainless steel construction that is suitable for commercial use. Designed to be safe and energy efficient.

Features independent thermostat controls for convenient use, and high efficiency stainless steel heating element.



Authorized Dealer



WARRANTY
PARTS AND LABOR



FOOD EQUIPMENT

4500 W COUNTERTOP ELECTRIC GRIDDLE CE-CN-0766



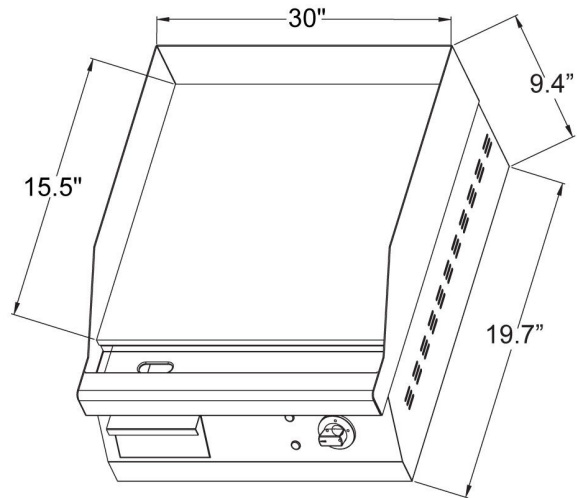
TECHNICAL SPECIFICATIONS

ITEM NUMBER	43214
MODEL	CE-CN-0766
POWER	4500 W
TEMPERATURE	65° - 300°C / 150° - 570°F
COOKING AREA (WD)	30" x 15.5" / 762 x 393.7 mm
ELECTRICAL	220V/60/1
WEIGHT	44 kg / 97 lbs
PACKAGING WEIGHT	50 kg / 110.2 lbs
DIMENSION (DWH)	19.76" x 30.2" x 9.4" / 502 x 767 x 239 mm
PACKAGING DIMENSIONS	22.9" x 34.1" x 13" / 582 x 866 x 330 mm

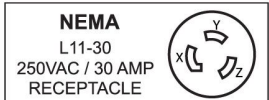
FEATURES

- Commercial heavy-duty stainless steel construction
- Quick heating and large cooking area
- Top and bottom double welding technology
- High efficiency stainless steel heating element
- Thick steel cooking plate, high heat retention and even heating
- Stainless steel control knobs
- Large removable grease tray
- Extra steel splash-guard inside and back for protection against grease and spills
- Power and heating lights
- High output, high efficient and energy saving

TECHNICAL DRAWING AND DIMENSIONS



WARRANTY
PARTS AND LABOR



OMCAN INC.

Telephone: 1-800-465-0234

Fax: (905) 607-0234

Email: sales@omcan.com

Website: www.omcan.com



Follow us to keep up to date with the latest news and offers



2018.E.O.E